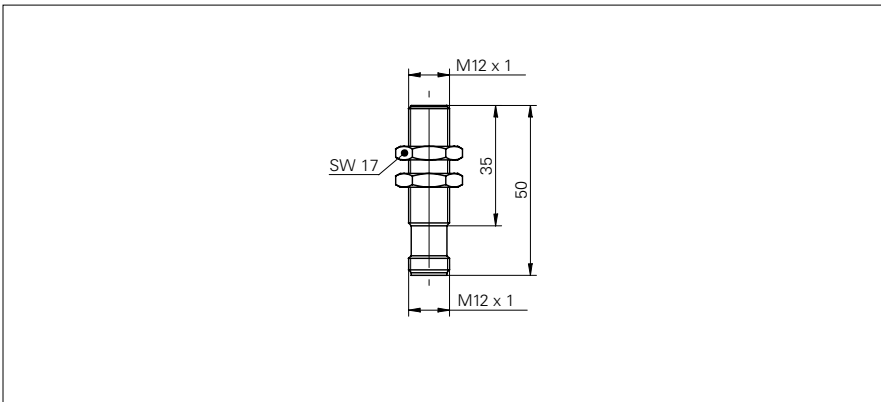


Inductive distance measuring sensors

IWRM 12I9705/S14

dimension drawing



general data

| | |
|-----------------------|--|
| mounting type | quasi-flush |
| measuring distance Sd | 0 ... 4 mm |
| resolution | < 0,0005 mm (stat.) < 0,001 mm (dynam.) |
| repeat accuracy | < 0,005 mm |
| linearity error | ± 160 µm |
| temperature drift | ± 4 % (Full Scale) |

electrical data

| | |
|--|----------------|
| response time (factory characteristic) | < 30 ms |
| voltage supply range +Vs | 15 ... 30 VDC |
| output circuit | current output |
| output signal | 4 ... 20 mA |
| load resistance +Vs min. | < 330 Ohm |
| load resistance +Vs max. | < 1000 Ohm |
| short circuit protection | yes |
| reverse polarity protection | yes |

mechanical data

| | |
|------------------|----------------------|
| type | cylindrical threaded |
| housing material | brass nickel plated |
| dimension | 12 mm |
| housing length | 50 mm |
| connection types | connector M12 |

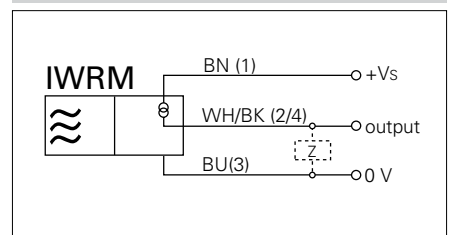
ambient conditions

| | |
|-----------------------|----------------|
| operating temperature | -10 ... +70 °C |
| protection class | IP 67 |

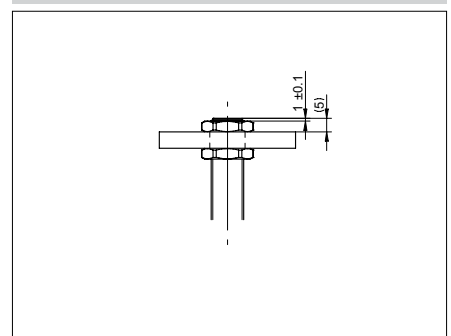
photo



connection diagram



installation drawing



• linearity deviation (S = 0,5...4 mm) ± 4% (Full Scale)